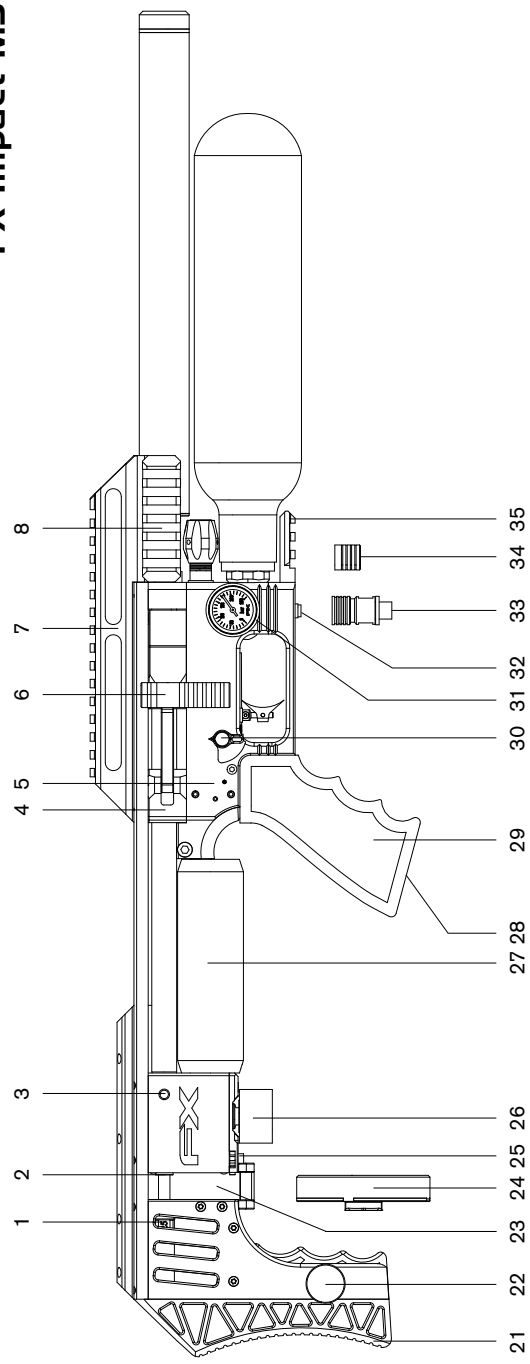


**FX**airguns MADE IN SWEDEN

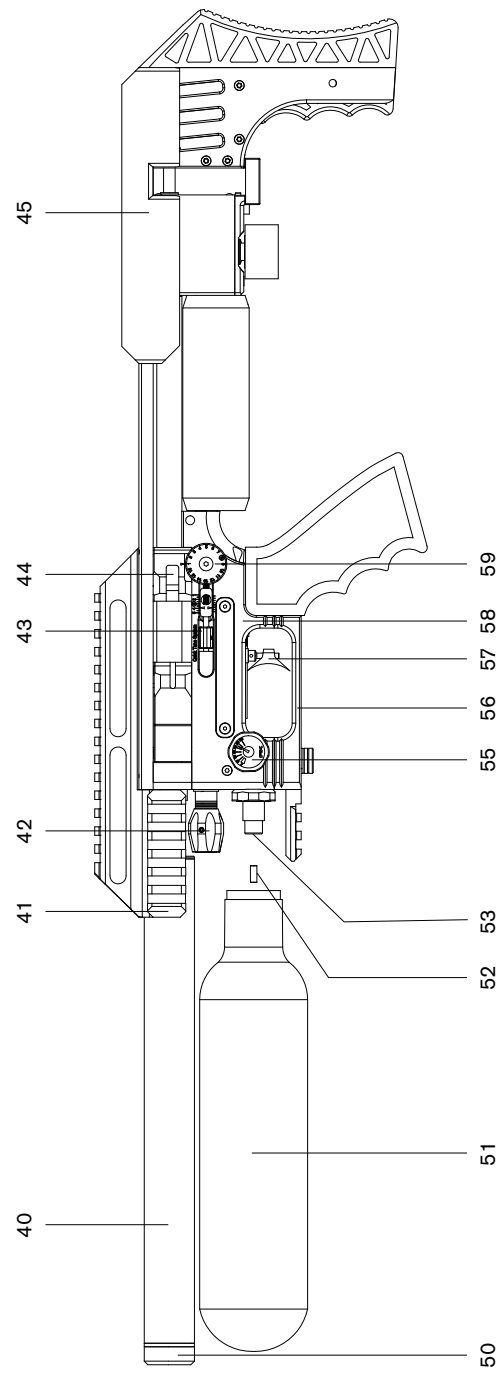


**FX IMPACT M3 OWNER'S MANUAL**

## FX Impact M3



- |  |                                  |                             |
|--|----------------------------------|-----------------------------|
| 1. Pellet Probe Mount                      | 21. Recoil Pad                   | 29. Grip                    |
| 2. Barrel Breech                           | 22. Recoil Pad Fastener          | 30. Safety                  |
| 3. Barrel Fastener                         | 23. Magazine Slot                | 31. Bottle Pressure Gauge   |
| 4. Right Sidelever Mount                   | 24. Magazine                     | 32. Quick Connector Male    |
| 5. Angled Gauge Mount (Optional Accessory) | 25. Magazine Release             | 33. Quick Connector Female  |
| 6. Sidelever (Reversible)                  | 26. 2nd Regulator Pressure Gauge | 34. Dust Cover              |
| 7. Scope Rail                              | 27. Power Plenum 720             | 35. Fore-end Accessory Rail |
| 8. Right Accessory Rail                    | 28. Grip Fastener                |                             |



- |  |                       |  |
|--|-----------------------|--|
| 40. Barrel   | 45. Cheek Piece       | 55. 1st Regulator Pressure Gauge                   |
| 41. Left Accessory Rail                            | 50. Muzzle Thread Cap | 56. Trigger Guard                                  |
| 42. Valve Adjuster                                 | 51. Air Pressure Tank | 57. Trigger  |
| 43. Micro Power Adjuster (Fine Tune Barrel Roller) | 52. Valve Pin Bushing | 58. 2nd Regulator                                  |
| 44. Left Sidelever Mount                           | 53. 1st Regulator     | 59. Rear Macro Power Adjuster (Hammer Power Wheel) |

## Welcome

Congratulations to your new high-end precision tool and welcome to the FX family! Please read and follow this manual thoroughly.



	Page
<b>1 Warnings</b>	5
<b>2 Safety Operation</b>	5
<b>3 Handling (cocking and uncocking)</b>	6
<b>4 Gear up</b>	7
<b>5 Pressurize</b>	8
<b>6 Load magazine</b>	10
<b>7 Use your airgun</b>	11
<b>8 Adjustments</b>	18
<b>9 Alternations</b>	22
<b>10 Accessory options</b>	26
<b>11 Miscellaneous</b>	27

## Warnings

- Never attempt to disassemble this rifle!
- Never fire the rifle when it is empty of air or when air cylinder is removed!
- Never point the rifle at anyone, or allow anyone to point a rifle at you!
- Treat every rifle as if it is loaded even if you know it is not loaded!
- Always carry the rifle so that the direction of the muzzle is under control, even if you stumble.
- Always be sure of your target and what lies behind it before firing your rifle.
- Never leave a loaded rifle unattended.
- Beware of targets that tend to cause ricochets.
- It is recommended that eye protection is worn.
- Always use caution when operating this rifle.
- Learn and obey the laws in your location.
- Be responsible in your use of this rifle!
- Never fill the rifle with anything else other than regular air!
- Never fire the rifle below set regulator pressure.
- You are obliged to inspect carbon-fiber air tanks according to the instructions on the tank.
- Failure to obey these instructions could result in personal injury or damage to the gun!



## Safety Operations

This gun uses a switch style safety that is very easy to operate (30)

**Safe** Not possible to fire the gun.

**Fire** You are able to fire the gun.

Keep the gun in safe mode when you do not intend to fire.

**Note** Never point the rifle at anyone even if it is set to “safe”.

## 3 Handling

### 3.1 Cocking the rifle

Prepare the rifle for use by learning how to operate the sidelever cocking system.

Pulling rearward on the cocking lever (6) engages the trigger and hammer simultaneously.

Set the safety (30) to the "Safe" position and pull the sidelever rearwards.

A distinguished click in the most rearward position is the indication of a successful cocking.

Move the sidelever forward and make sure it is completely closed, your gun is ready to be fired if safety is set to "Fire".

It is preferable to store the gun un-cocked so next step is to learn how to un-cock.

### 3.2 Uncocking the rifle/inactivate trigger system

Pull the cocking lever (6) to its rear position, put the safety (30) to Fire.

Hold one hand on the cocking lever and then with the other hand you squeeze the trigger (57) and simultaneously gently move the cocking lever forward.

This will release the trigger and hammer-spring tension.

#### For Left hand shooters

The M3 version is equipped with an ambidextrous sidelever mount, see section 9.3.

It comes mounted for right hand use but can easily be repositioned on the left side for left hand shooters.



## 4 Gear Up

This particular gun is equipped with a total of four picatinny style rail's for both scope and accessories.

### 4.1 Top rail (7)

#### For optics

Mount your optics according to the optics manual but wait with zeroing until you have gone thru all steps of the manual.

### 4.2 Accessory rails (8 and 41)

One at each side for accessories such as lamps, lasers etc.

### 4.3 Fore-end rail (35)

The fore-end rail is suitable for bipods and other accessories.



## 5 Pressurize

### 5.1 Preparation

One 1/8" threaded quick connector (33) is supplied with the rifle, this can be attached to the most common charging sources on the market.

**NOTICE** – Make sure that the thread is the same at the charging source before you attach the connector.

Attach the connector to the source and make sure it seals.

One seal is included and attached to the connector and is sufficient in most cases.

Make sure to follow manual for the connected charging source.



### 5.2 Pressurize

**Max overall pressure in system:** 300 BAR

**Max air reservoir pressure:** See markings on air reservoir.

Remove dust-cap (34) Close ventilation screw on the charging source.

Push the quick connector over the male connector on the gun (32)

Charge the rifle to wanted pressure without exceeding maximum pressure limit of air reservoir or main block.

You read the filling pressure on the main pressure gauge (31)

Also check the pressure on the charging source, they have in some case a more reliable gauge.

The gauges on the gun are indicators and not 100% accurate.

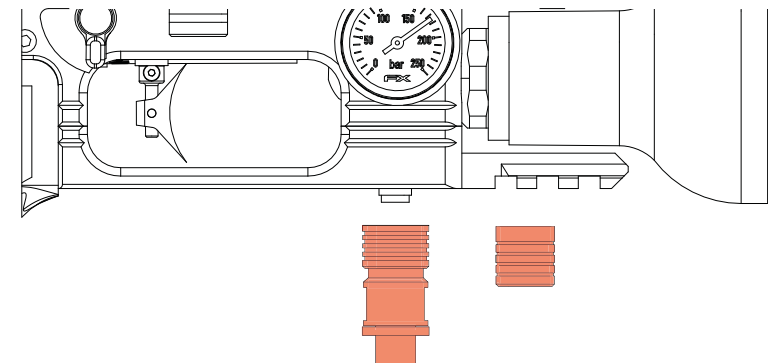
When you are ready with the fill you drain/bleed hose pressure on the charging source and simply release the quick connector by pulling the sleeve.

Put the dust cover back in place and you are ready.

Recharge as soon as you come to the point when tank pressure (31) is just above regulator

Output pressure (26) Do not use the gun if tank pressure is below set regulator pressure.

**WARNING** Only dry air should be used! Under no circumstances should Oxygen or any other gas be used to fill the air-tubes! This might result in serious injury or death!



## 6 Magazine

How to load the Side-Shot magazine (24)

Turn the lid-lock (1) to the position (open) where you are able to remove the lid (2).

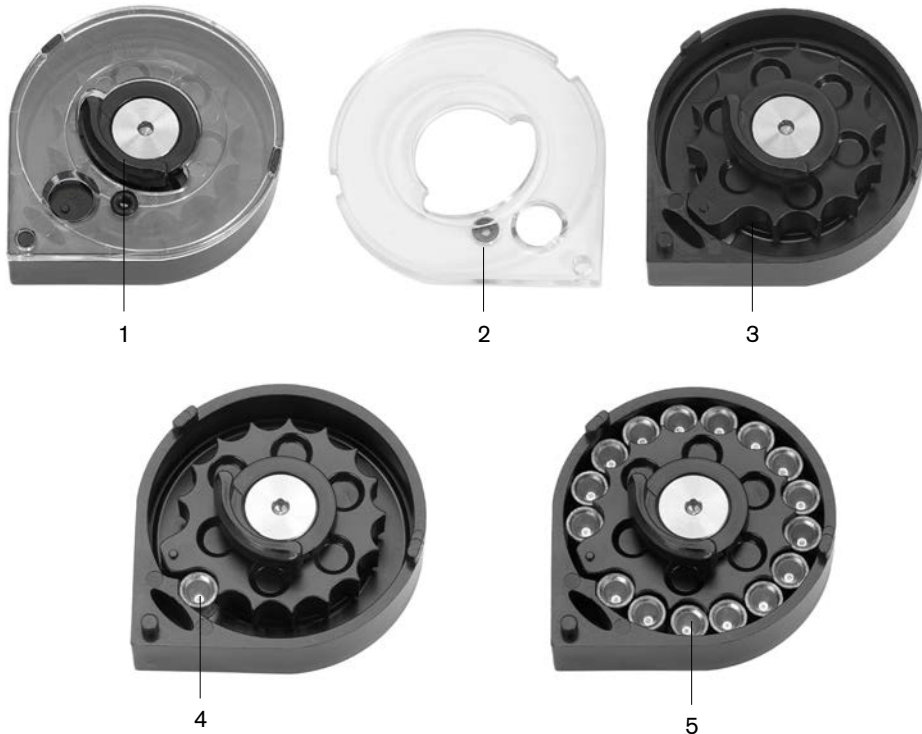
Turn the pellet tray (3) counterclockwise until you hit the stop.

Put a pellet into the first position (4) head first while holding your finger under the hole to stop it, let go of the pellet tray as the pellet you inserted will lock and prevent the pellet tray from rotating.

Insert the rest of the pellets head first, make certain all the pellets fall in correctly into their slots (5).

Once the magazine has been filled, put the lid back into position and turn the lid-lock until it is the opposite position of the cutout (locked).

Our guns are tested and tuned in the factory for best performance and accuracy with JSB pellets.



## 7 How to use

### 7.1 Inserting magazine

Prepare the rifle for use by pulling rearward on the cocking lever (6) until it clicks in the rearward position.

Set the safety (30) to "Safe" position.

Barrel breech (2) has a protruding edge which match the slot in the magazine (24).

Carefully insert the magazine in the magazine slot (23).

Press firmly to ensure the magazine is completely installed.

You will hear a click when the locking mechanism (25) locks in position.

Closing the cocking lever will now load a pellet into the barrel and make the rifle cocked and ready for use.

Make sure that side lever is completely closed in the front position, failure to do so might result in damaged cocking mechanism. This kind of abuse is not covered by warranty. Be sure to keep the rifle pointed in a safe direction throughout this entire procedure.

**Note** Each cocking enters a pellet into the barrel so if not fired when cocked you will end up with more than one pellet in the barrel.

One or two pellets in the barrel is usually manageable and possible to shoot out depending on power but more than two might clog up the barrel making it impossible to use.

If you want to end your shooting session with half used magazine It's preferred that you at least fire the round in your chamber and then remove the magazine to make sure you do not store the gun with a pellet in the breech.

### 7.2 Removal of Magazine

Put the safety (30) in "Safe" position and then pull the cocking lever (6) rearwards.

Pull the locking mechanism (25) rearwards while you pull the magazine out of the slot.

Un-cock the rifle before putting it to side or leave it with open sidelever.

### 7.3 Zeroing the scope

When you feel you have a grip of the total function you can move on to dial in your scope with support from the scope manual.

## 7.4 Power Settings / Quick Tune System

The power setting for this gun is from the factory set for FX pellets or JSB Exact pellets of the caliber of gun you have purchased.

To get the best out of the specific pellet you intend to use you might want to fine tune the setting of the gun.

The standard liner that comes with the gun is mainly for pellets and hybrid slugs.

If you are going to use heavy ammunition you will achieve the best result out of a liner that is specifically made for that purpose. Contact your dealer for more info.

Before you make any alternations, it is important that you write down the current setting so you always can go back to the factory settings. See page 26 for your own notes.

### **There is no magic formula on how to tune but there are some basic guidelines:**

For diabolo pellets you can aim for somewhere around 840 - 940ft/s as this is probably were you have the best chance of finding the best accuracy.

Higher power does not mean better accuracy.

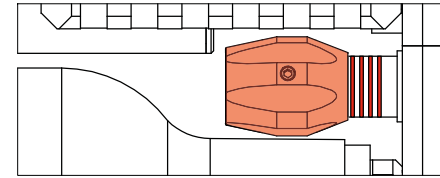
Shorter barrels require higher pressure than longer barrels.

Too much hammer spring tension combined with low regulator pressure might result in high air consumption.

Setting the power on the Impact can be done in four ways, Three of them are easily adjusted without tools while shooting. These three will be explained in this section. Fourth adjuster (regulator pressure) requires tools and will be explained in section 8.1.

### **Why would I want to alter current power settings?**

- Lower power to achieve less penetration
- Increase power for higher penetration or longer distance
- Lower power to get less air consumption when shooting short distance
- Fine tune for better accuracy (sweet spot)
- Changed caliber, liner and/or ammunition.



## 7.5 Valve Adjuster (42)

CLOCKWISE will reduce airflow and thus power.

COUNTER - CLOCKWISE will increase airflow and thus power.

This will allow you to fine tune the valve flow and air efficiency.

### **Default setting (max) depending on version**

4 indication groves = Set one and a half turn out from last line.

6 indication groves = Set on the last line.









## 7.6 Rear Macro Power Adjuster (59) – Hammer-spring tension adjuster

The Rear Macro Power Adjuster (spring tension hammer wheel) is a quick way to tune the power and accuracy of your rifle and has 16 fixed levels.

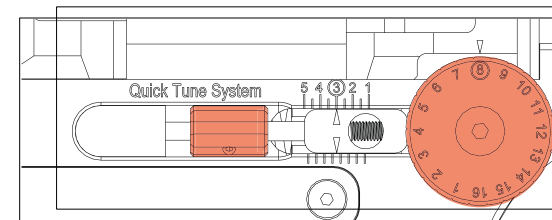
**Note** The rifle must be un-cocked when you turn the power adjuster.

1 is on the low side and 16 is on the high side of spring tension.

High spring tension gives more power but uses more air.

**Note** for best results the hammer tension needs to work in coordinated effort with the appropriate regulator pressure as described further in section 8.1

**NOTICE** – NEVER adjust the power when rifle is cocked. Doing so might damage the Rear Macro Power Adjuster and will void your warranty!



## 7.7 Micro Power Adjuster (43) – Fine Tune Barrel Roller

The Rear Macro Power Adjuster (or hammer-spring tension adjuster wheel) is supported by the Micro Power Adjuster. This barrel roller on the side of the rifle gives you the possibility to fine tune with precision. It is easy to operate by rolling the wheel with your thumb and has marked grooves and digits to help you navigate.

Towards 5 is increasing power and towards 1 is decreasing power.

**Note** At the lowest setting 1 on the Rear Macro Power Adjuster you will not be able to set the Micro Power Adjuster all the way to 5 (max)

At the highest setting of 16 on the Rear Macro Power Adjuster you will not be able to set the Micro Power Adjuster all the way to 1 (min).

There are circles on the scale of both hammer-spring adjusters. We recommended to use these as starting points for re-tuning after changing projectile, caliber, or regulator pressure.

## 8 Adjustments

### 8.1 Dual Externally Adjustable AMP Regulators

The first regulator (53 and 55) pre-reduces the pressure in preparation for the second Regulator (58 and 26). This provides less stress on the second regulator and achieves a constant output pressure with less deviations.

The secondary regulator sets the working output pressure for the rifle.

#### Important!

The first regulator is set from factory and should in most cases not be alternated.

#### Tools required

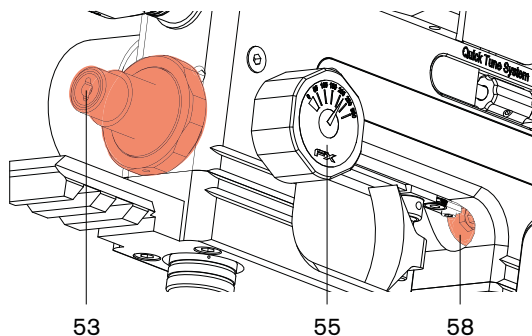
2,5mm hex key, preferable with ball end. If you do not have access to a hex key with ball end you can make the adjustment more accessible by removing trigger guard, see section 8.2.

Normally you will want the regulator set at the lowest possible pressure for the velocity you aim for.

#### Default regulator setting for pellets, full power (second regulator)

Caliber	Pressure in bar
.177	85-90
.22	70-75
.25	90-95
.30	100-105
.35	130-135

**Note** This chart might change as we constantly develop and strive for best possible accuracy. If you do not get satisfying accuracy, check our website for updates or contact the dealer.



#### To increase regulator pressure

Make sure you have full pressure (200+bar) in the tank before starting this adjustment.

First note regulator pressure of first regulator (55) and keep this in mind.

Gently adjust the second regulator (58) counter-clockwise a quarter of a turn and check the pressure on gauge (26) Repeat until the wanted pressure has been reached but do not exceed the pressure of the first regulator.

We strongly recommend that you do not alter the pressure of the first regulator but if it does need to be adjusted, follow the instruction as follows.

Remove the bottle, see section 9.4.

Gently adjust first regulator (53) counter-clockwise a quarter of a turn re-attach the bottle and check the pressure on gauge (55). Repeat this process until the wanted pressure has been reached.

#### To decrease regulator pressure

Gently adjust the second regulator(58) clockwise a quarter of a turn, fire off one empty shot in a safe direction Repeat this process until the wanted pressure has been reached.

**NOTICE** – Make sure your rifle is not loaded before dry firing

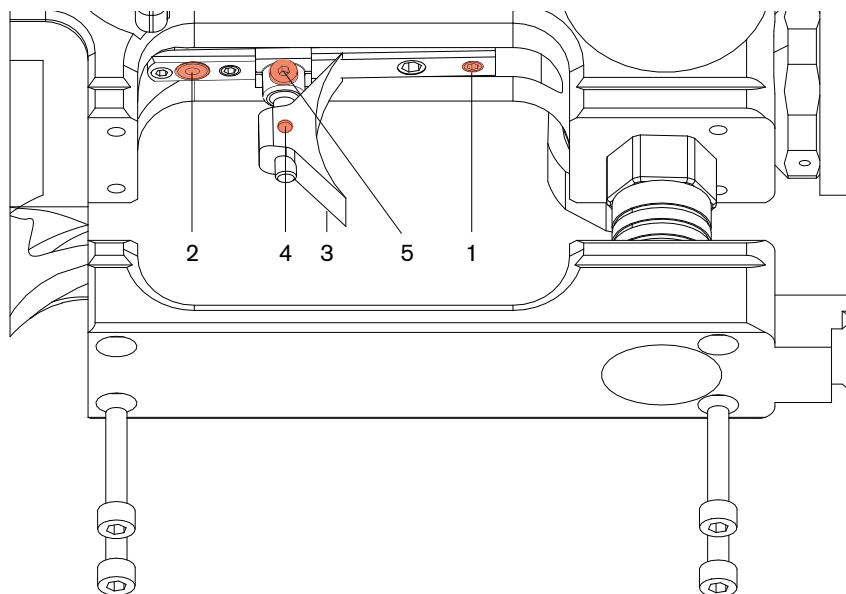
We strongly recommend that you do not alter the pressure of the first regulator but if it need to be done the instruction is as follows.

Remove the bottle, see section 9.4.

Gently adjust first regulator (53) clockwise a quarter of a turn re-attach the bottle and check the pressure on gauge (55). Repeat this process until the wanted pressure has been reached.

**NOTICE**– NEVER adjust the regulator above 170bar as damage to the system may occur and will void your warranty!

**NOTICE** – NEVER use the gun below the set regulator pressure as damage to the system may occur and will void your warranty!



## 8.2 Trigger (57)

### Trigger position

Trigger blade (3) can be adjusted in reach, height and rotated to set the blade in an angle.

Loosen screw (4) to adjust height or angle, tighten when you are satisfied.

Loosen screw (5) to adjust trigger reach (trigger to grip distance).

For liability reasons, we cannot give instructions on trigger weight or travel adjustments.

Following information is a reference showing adjustment screws and what aspect of the trigger they adjust.

The 2nd stage Adjustment (2) is the second stage tension adjuster.

The 1st stage Length Adjustment (1) controls the travel/1st stage length of pull.

**WARNING** – Adjustment to the 1st or 2nd stage might cause safety malfunction.

Adjustments to 1st or 2nd stage might void your warranty.

Adjustments to one screw may impact the function or other aspects of the trigger-function.

Proper tuning requires the know how of what one adjustment does in relation to another and should be performed by a trained specialist.

Always make adjustment with unloaded rifle and empty barrel.

Always point the rifle in a safe direction while adjusting the trigger.

Never rely on the trigger or safety when pointing your rifle at any target.

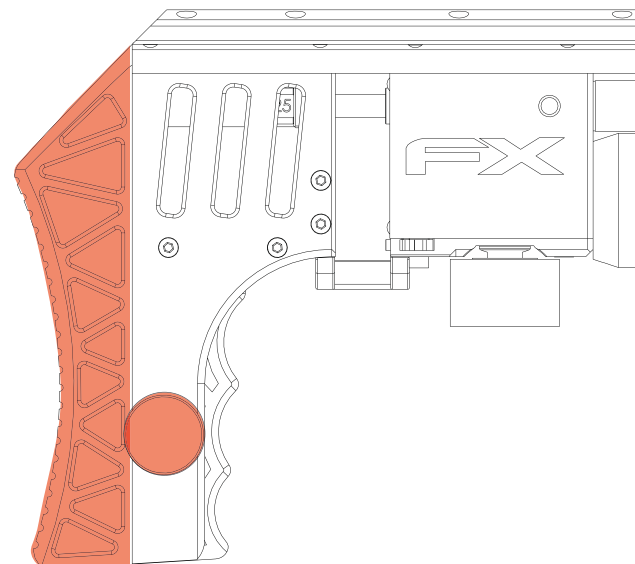
To ensure safety and reliability make sure you test thoroughly before you use the rifle.

**NOTICE** – All adjustments work in relationship with one another.

In order to get full access to the trigger you can remove the trigger guard (99)

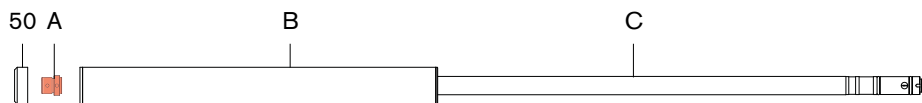
## 8.3 Recoil-pad (21)

You can adjust the recoil-pad in height, loosen the locking screw (22) to move the recoil-pad up and down. Once positioned where you want it, tighten the locking screw.



## 9 Alternations

### 9.1 Barrel-system (40)



The following information gives you the know how to perform a barrel swap. You can use a complete barrel kit (barrel and shroud) for fast swap between calibers. Or, just barrel and muzzle as this new barrel system comes with a replaceable muzzle (A). This feature gives you the opportunity to the keep the original shroud (B). You just change barrel (C) and muzzle with matching caliber.

For liner replacement see [www.fxairguns.com](http://www.fxairguns.com).

Set the safety to its safe position.

Make sure the rifle is un-cocked/Inactivate the trigger.

#### Barrel

Loosen screw on the side of the breechblock (3).

Pull the barrel (40) out of the system.

Some barrels have dual air transfer ports marked with letters stating which ammunition it is intended to be used with. P = pellet, S = slug. The port you choose to use should be pointing downwards.

Insert new barrel and make sure the small slot in the barrel breech lines-up with the guide pin inside the breech block.

When completely seated, you should be able to see a protruding edge of the barrel inside the magazine slot (23).

Once in position, tighten the locking screw.

Misalignment will cause poor performance and might harm the airgun.

**NOTICE** – Failure to tighten these locking screws can cause severe damage to the rifle if fired.

#### Pellet-probe

Loosen the recoil pad locking screw (22) and pull the recoil-pad (21) down to it's lowest position.

Pull the sidelever rearwards until you have the pellet-probe locking screw (1) visible between the slots.

Loosen the locking screw using a 1,5 mm hex key.

Pull the probe rearwards or tilt the gun backwards so the probe can fall out into your hand.

Check that you have the correct caliber on the pellet probe.

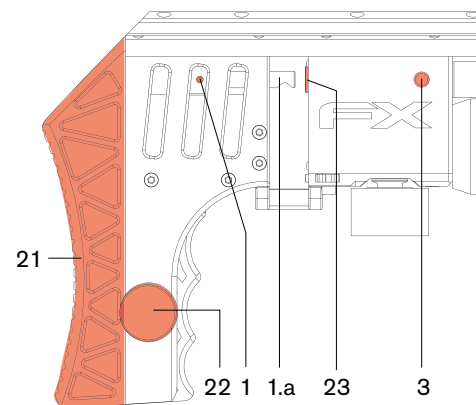
Make sure the air transfer port (1.A) is pointing downwards. You should also see the caliber markings on the right side thru the slots.

There is a hex slot in the back of the pellets probe where you can use a 4 mm hex key as guide to easier get the probe into correct position.

When in place tighten the locking screw again.

Inactivate the trigger when you close the sidelever.

**NOTICE** – Never fire the gun without pellet-probe mounted.



### 9.2 AR 15 Grip (29)

Grip can easily be replaced with other aftermarket grips.

It's easily replaced by removed screw (28) using a 5 mm hex key thru the bottom of the grip.

### 9.3 Sidelever (6)

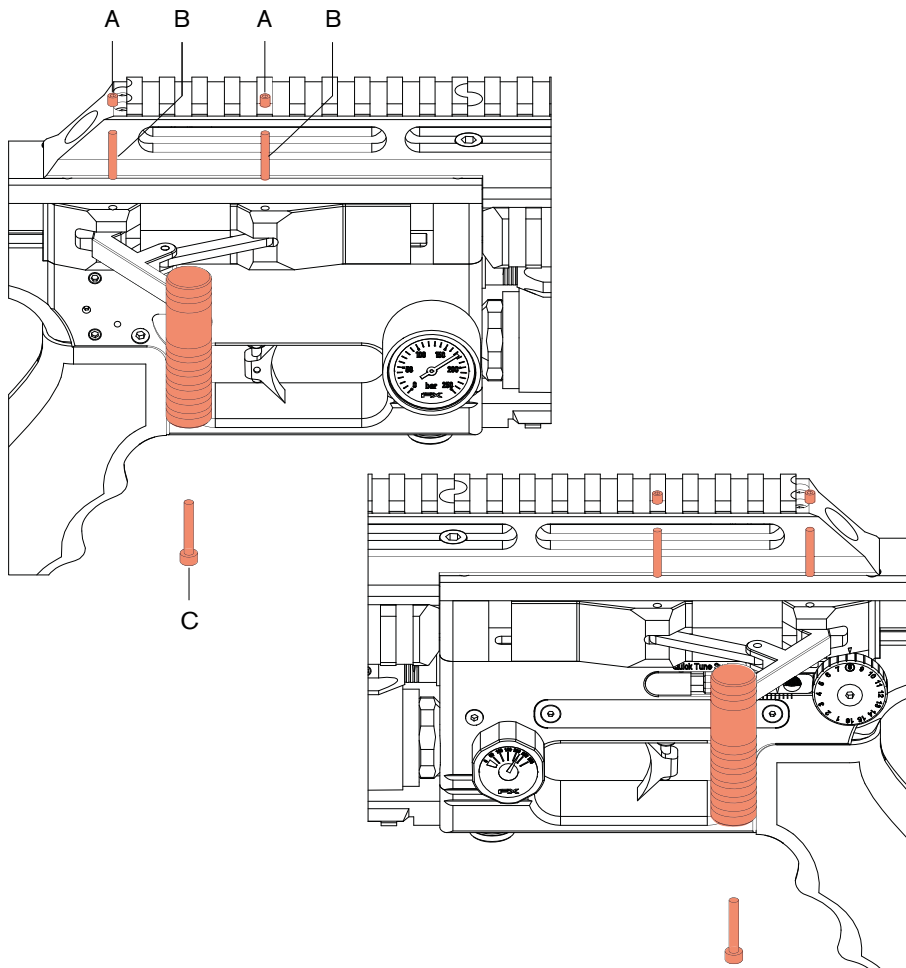
The M3 version is equipped with an ambidextrous sidelever mount (4 and 44).

It comes delivered mounted on the right side (4) but can easily be repositioned on the left side (44) for left hand shooters.

Remove locking screws A and push pins B through the mounts from the downside and up.

Remove locking screw C and remove side lever handle.

Relocate parts on the left-hand side.



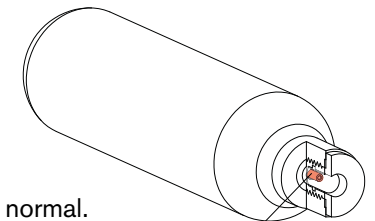
### 9.4 Pressure tank (51)

The bottle is equipped with its own valve so it is safe to unscrew it from the system.

It will still hold air, when you unscrew it there will be a minor escape of air and this is perfectly normal.

The regulators will hold air even if you unscrew the bottle.

**WARNING** Do not replace with another bottle without making sure that the new bottle has Valve Pin Bushing (52) mounted. This might be moved from the original bottle or bought separately. Valve can not open without this bush.



52

## IO Accessory options

### 10.1 Angled 2nd Regulator Pressure Gauge (5)

You have the possibility to add an angled gauge for easy reading of the regulator pressure while shooting. More info can be found in our website or with our dealers.

### 10.2 Muzzle thread (50)

Covered by a thread protector is a 1/2" thread for airgun silencers (variations may occur). Simply unscrew the cap to get to access to the thread.

**NOTE** *Be aware that a silencer might have a negative effect on the accuracy!*

## Notes for you own settings

Make note of the factory setting before you start tuning the rifle.

	Factory settings			
Caliber				
Barrel length				
Barrel type				
Ammunition				
Regulator 1				
Regulator 2				
Front Valve				
Macro Adjuster				
Micro Adjuster				
Velocity				
Distance				
Remarks				

## II Miscellaneous

### 11.1 Warranty

All FX Airguns carry a Three-Year Warranty against faulty workmanship and defective materials. If it becomes necessary, first contact the dealer from which you purchased the gun. If the rifle is determined to have a defect within the warranty period, contact the warranty center to arrange service. The warranty guarantee does not cover any damage caused by tampering with the rifle or abuse. This rifle should only be disassembled by factory-authorized repairmen.

### 11.2 Maintenance

Keep the rifle clean.

Steel parts will benefit from occasional oil treatment preventing them from corrosion.

We recommend the use of cleaning pellets occasionally or if there is a sudden change in accuracy.

**WARNING** *Never use chemicals or water to clean the rifle.*

### 11.3 Storage

Store dry and dark if possible.

Preferable stored pressurized just above regulator pressure to max pressure.

**WARNING** *High humidity might cause corrosion if not treated correctly.*

*Keep away from sunlight as this might damage o-rings and anodizing.*

*Never store the rifle with loaded magazine.*

*Keep out of reach for children or unauthorized persons.*



**FXairguns** MADE IN SWEDEN

[www.fxairguns.com](http://www.fxairguns.com)