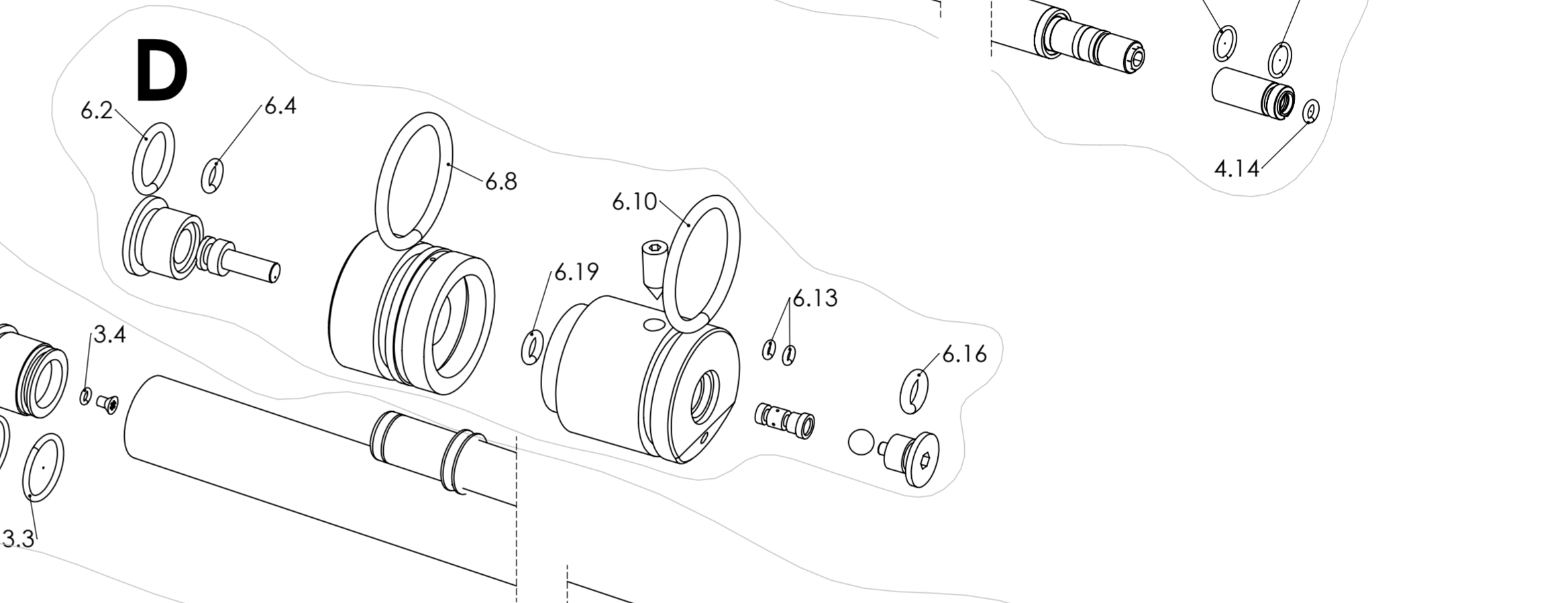
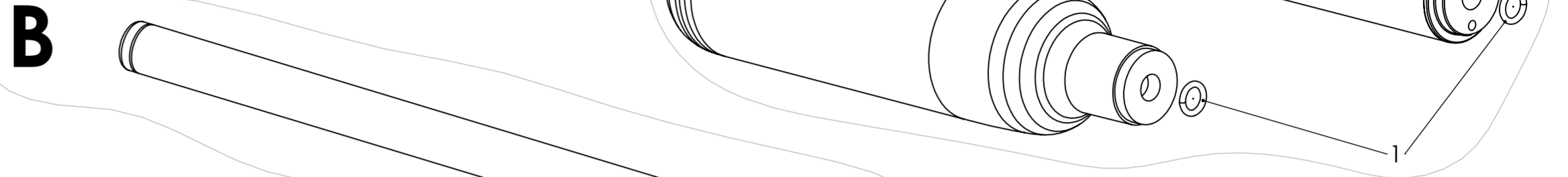
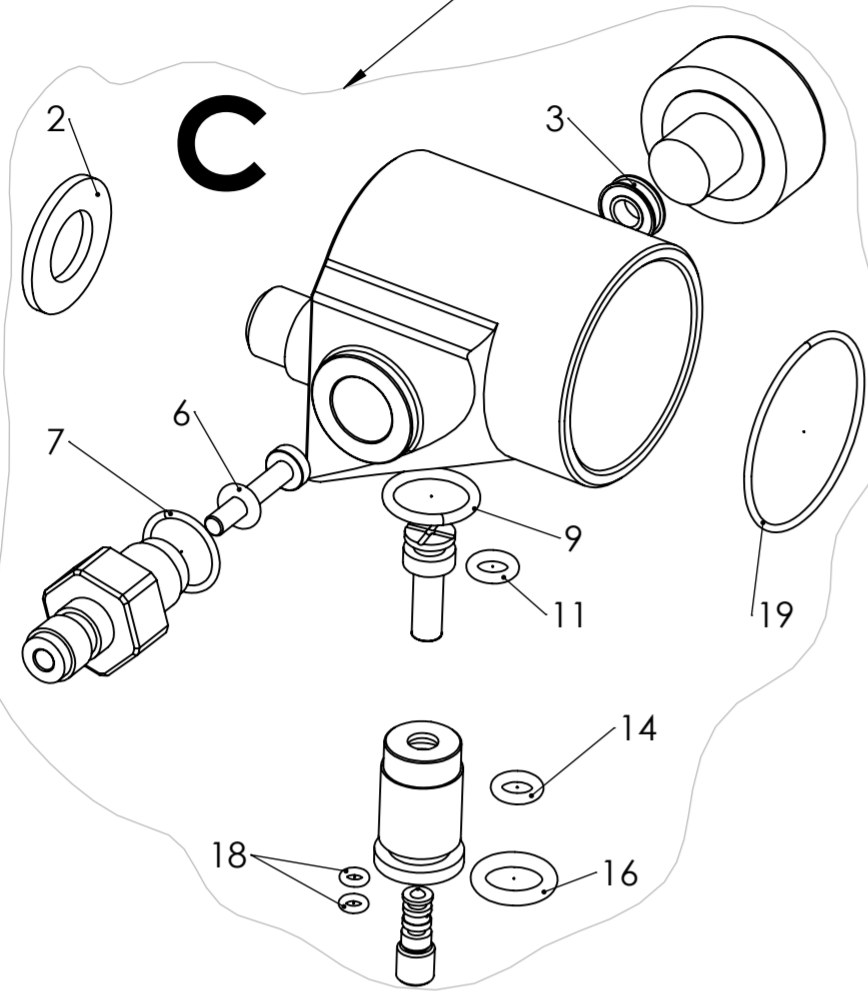


For Dreamline with Air Bottle or Compact Tube



**(A) - Dreamline Base, Drawing No. F10057**

Position	Description	Art. No.	Qty.
3.1	Plastic washer 2mm 1/8"	5005	1
3.2	O-ring 24x2 NBR 70	19484	2
3.3	O-ring 23,0x2,5 NBR 70	19485	1
3.4	O-ring 4x1.5 NBR70	19109	1
10	Valve pin Dreamline Complete, <i>until ser.no. 194000</i>	20135	1
14	Valve seat SHP Complete, <i>until ser. no. 0101759</i>	19060	1
14.1	Valve seat Complete, <i>from serail no. 0101759</i>	2024C	1
16	O-ring 23x2.5 NBR70	19485	1
20	X-ring 3,63x2,62 NBR 70	19762	1
26	O-ring 11.1x1.6 NBR90	19081	2
27	O-ring 5,5x2 NBR70	19953	2
71	O-ring 13,95x2,62 NBR70, <i>from ser. No. 194000</i>	12045	2
72	O-ring 2,5x1,5 NBR90, <i>from ser. No. 194000</i>	5111	1
75	Valvepin Dreamline long complete, <i>from ser.no. 194000 and until serial no. 0101759</i>	20153C	1
75.1	Valvepin Dreamline long complete, <i>from ser.no. 0101759</i>	20153C-1	1

**(B) - O-rings barrel, Drawing No. F10061**

Position	Description	Art. No.	Qty.
4.11	O-ring 10x2 NBR 70, cal. .177, .22, .25	19703	1
4.11	O-ring 11x1,5 NBR 70, cal. .30	19210	1
4.12	O-ring 10x2 NBR 70	19703	1
4.14	O-ring 4,3 x 1,5 NBR 70, cal. .177	2529	1
4.14	O-ring 5,5 x 1,5 NBR 70, cal. .22	19726	1
4.14	O-ring 6,35 x 1,27 NBR 70, cal. .25	2575	1
4.14	O-ring 7,5x1,5 NBR 70, cal. .30	19209	1

**C - Airbottle adapter, Dreamline**

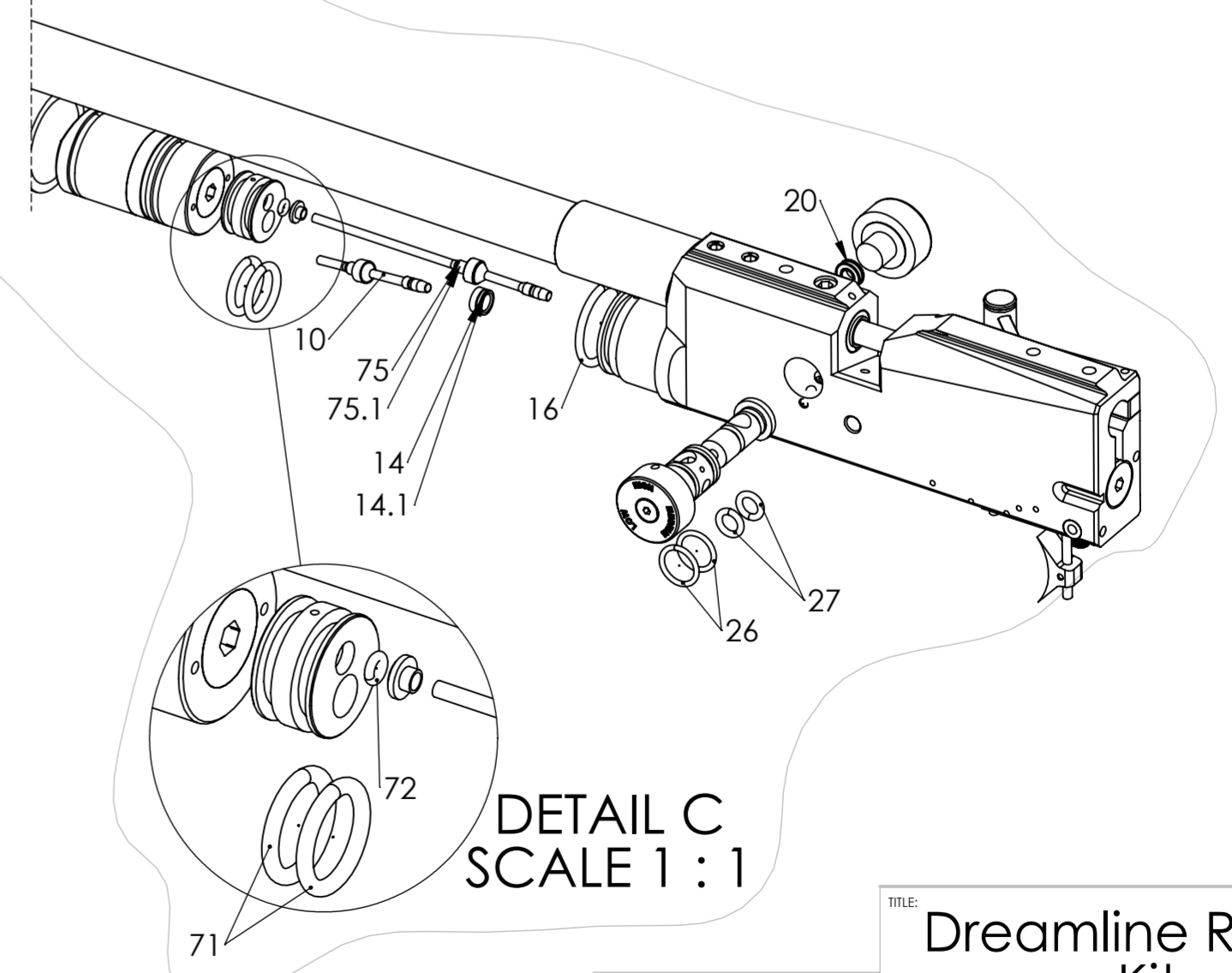
Position	Description	Art. No.	Qty.
2	Rubbersteel washer M12	11507	1
3	X-ring 3,63x2,62 NBR 70	19762	1
6	O-ring 2,9 x 1,78 PUR 90	5107	1
7	O-ring 10x1 NBR 90	19720	1
9	O-ring 10x1,5 NBR 90	19790	1
11	O-ring 4x1,5 NBR 70	19109	1
14	O-ring 4x1,5 NBR 70	19109	1
16	O-ring 7,5x2,0 NBR 70	19225	1
18	O-ring 2x1 NBR 90	19731	1
19	O-ring 26,0x 1,0 NBR 90	5132	1

**D - Tube Regulator, for Dreamline with Air Tube (not Compact tube)**

Position	Description	Art. No.	Qty.
6.2	O-ring 11.1x1.78 NBR70	5121	1
6.4	O-ring 4x1.5 NBR70	19109	1
6.8	O-ring 23x2.5 NBR70	19485	1
6.10	O-ring 23x2.5 NBR70	19485	1
6.13	O-ring 2x1 NBR90	19731	2
6.16	O-ring 5x2 NBR70	19332	1
6.19	O-ring 4x1,5 NBR 70	19109	1

**E - Air Bottle and Air Tube 40mm**

Position	Description	Art. No.	Qty.
1	O-ring 9,3 x 2,4 NBR 90	5105	1



DETAIL C  
SCALE 1 : 1

Description	Art. No.	Note
Dreamline Repair Kit Complete	9123	Until serial no. 0101759
Dreamline Repair Kit Complete	9123-1	From serial no. 0101759

MATERIAL:		Tolerans enl. SS-ISO 2768-1	CHANGE DATE	2020-02-05	
		Fin	FXairguns		DWG NO.
DRAWN		NAME	DATE	F10122-2	
REVISION				ART NO.	A2
				SCALE:1:10	SHEET 1 OF 1

TITLE: Dreamline Repair Kit